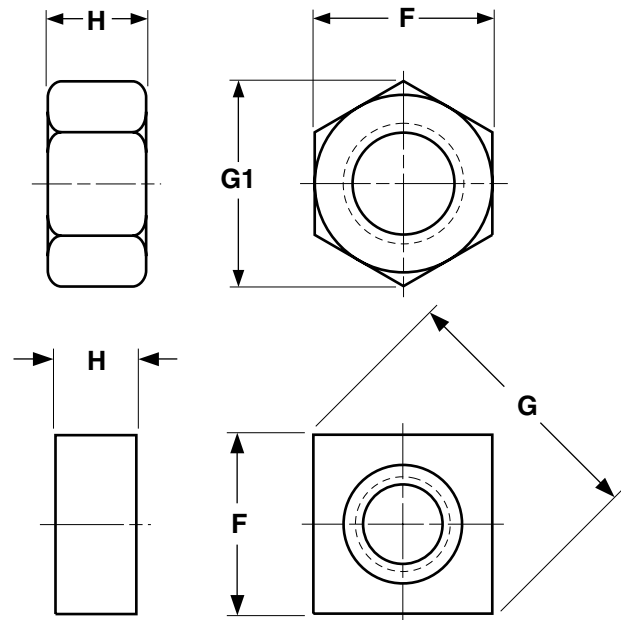


Nuts

Machine Screw Nuts -
Hex & Square



| Nominal Size or Basic Thread Diameter | | F | | | G | | G1 | | H | |
|---------------------------------------|--------|--------------------|-------|-------|----------------------|-------|-------|-------|-----------|-------|
| | | Width Across Flats | | | Width Across Corners | | | | Thickness | |
| | | Basic | Max | Min | Square | | Hex | | Max | Min |
| | | | | | Max | Min | Max | Min | | |
| 0 | 0.0600 | 5/32 | 0.156 | 0.150 | 0.221 | 0.206 | 0.180 | 0.171 | 0.050 | 0.043 |
| 1 | 0.0730 | 5/32 | 0.156 | 0.150 | 0.221 | 0.206 | 0.180 | 0.171 | 0.050 | 0.043 |
| 2 | 0.0860 | 3/16 | 0.188 | 0.180 | 0.265 | 0.247 | 0.217 | 0.205 | 0.066 | 0.057 |
| 3 | 0.0990 | 3/16 | 0.188 | 0.180 | 0.265 | 0.247 | 0.217 | 0.205 | 0.066 | 0.057 |
| 4 | 0.1120 | 1/4 | 0.250 | 0.241 | 0.354 | 0.331 | 0.289 | 0.275 | 0.098 | 0.087 |
| 5 | 0.1250 | 5/16 | 0.312 | 0.302 | 0.442 | 0.415 | 0.361 | 0.344 | 0.114 | 0.102 |
| 6 | 0.1380 | 5/16 | 0.312 | 0.302 | 0.442 | 0.415 | 0.361 | 0.344 | 0.114 | 0.102 |
| 8 | 0.1640 | 11/32 | 0.344 | 0.332 | 0.486 | 0.456 | 0.397 | 0.378 | 0.130 | 0.117 |
| 10 | 0.1900 | 3/8 | 0.375 | 0.362 | 0.530 | 0.497 | 0.433 | 0.413 | 0.130 | 0.117 |
| 12 | 0.2160 | 7/16 | 0.438 | 0.423 | 0.619 | 0.581 | 0.505 | 0.482 | 0.161 | 0.148 |
| 1/4 | 0.2500 | 7/16 | 0.438 | 0.423 | 0.619 | 0.581 | 0.505 | 0.482 | 0.193 | 0.178 |
| 5/16 | 0.3125 | 9/16 | 0.562 | 0.545 | 0.795 | 0.748 | 0.650 | 0.621 | 0.225 | 0.208 |
| 3/8 | 0.3750 | 5/8 | 0.625 | 0.607 | 0.884 | 0.833 | 0.722 | 0.692 | 0.257 | 0.239 |

ANSI/ASME B18.6.3

The value-added source for quality bolts, screws, nuts, washers and other industrial fasteners.

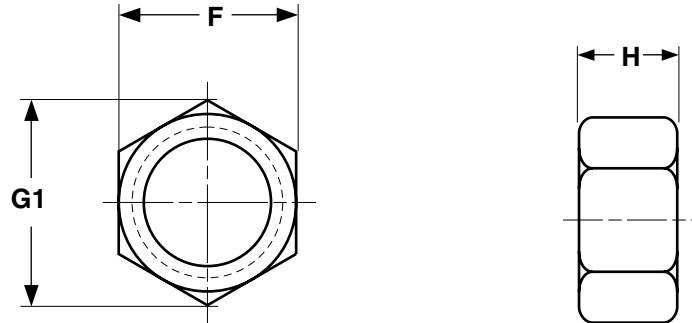
3211 West 9th Street, Trainer, PA 19061-5242 TOLL FREE: 1-800-662-7459 LOCAL: 610-485-5700 FAX: 610-485-5877

E-MAIL: sales@coburnmyers.com



Nuts

Machine Screw Nuts - Small Pattern



| Nominal Size or Basic Thread Diameter | | F | | | G1 | | H | |
|---------------------------------------|--------|--------------------|-------|-------|----------------------|-------|-----------|-------|
| | | Width Across Flats | | | Width Across Corners | | Thickness | |
| | | Basic | Max | Min | Max | Min | Max | Min |
| 4 | 0.1120 | 3/16 | 0.188 | 0.180 | 0.217 | 0.205 | 0.066 | 0.057 |
| 6 | 0.1380 | 1/4 | 0.250 | 0.241 | 0.289 | 0.275 | 0.098 | 0.087 |
| 8 | 0.1640 | 1/4 | 0.250 | 0.241 | 0.289 | 0.275 | 0.098 | 0.087 |
| 8 | 0.1640 | 5/16 | 0.312 | 0.302 | 0.361 | 0.344 | 0.114 | 0.102 |
| 10 | 0.1900 | 5/16 | 0.312 | 0.302 | 0.361 | 0.344 | 0.114 | 0.102 |

ANSI/ASME B18.6.3

The value-added source for quality bolts, screws, nuts, washers and other industrial fasteners.

3211 West 9th Street, Trainer, PA 19061-5242 TOLL FREE: 1-800-662-7459 LOCAL: 610-485-5700 FAX: 610-485-5877

E-MAIL: sales@coburnmyers.com